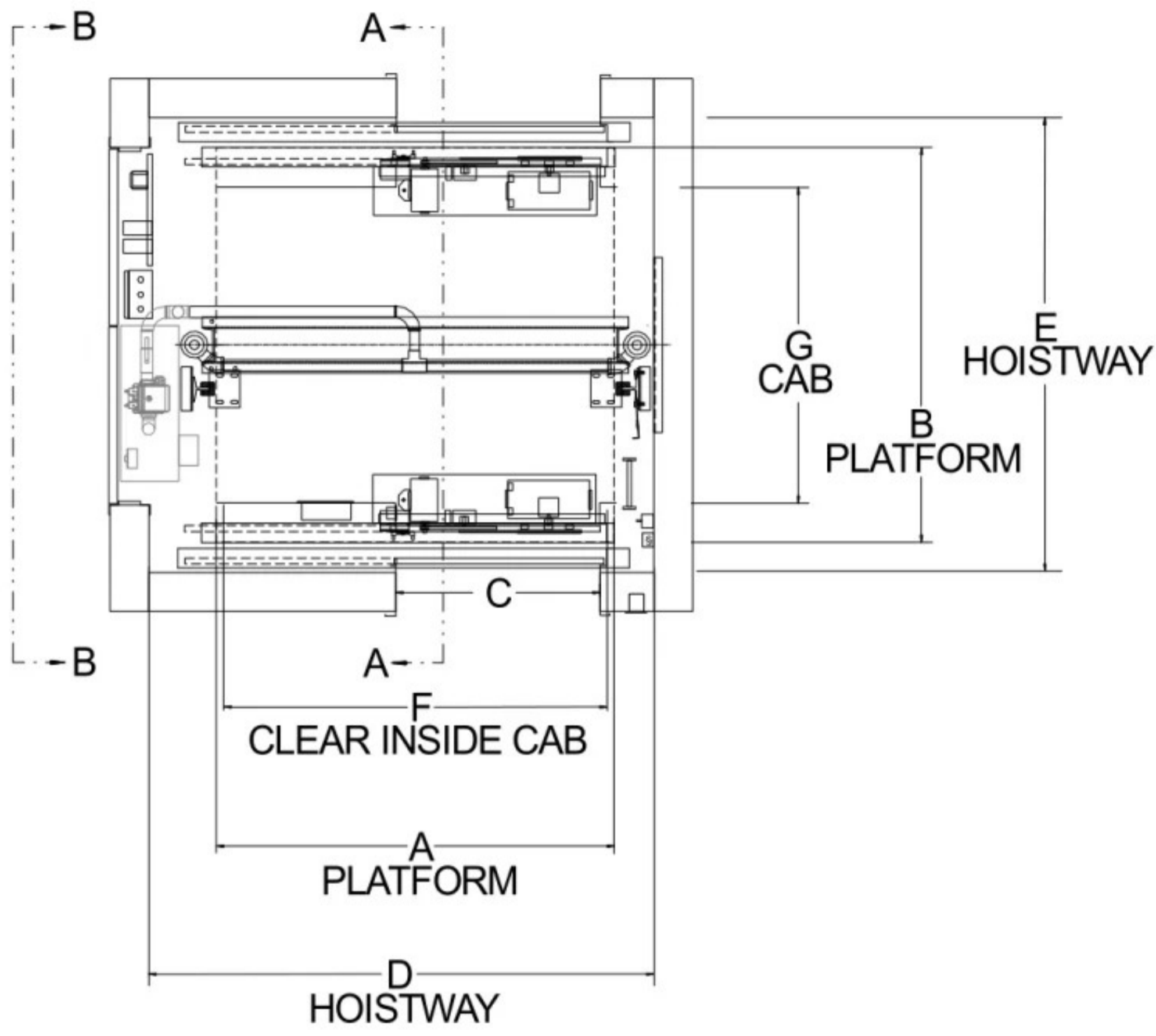
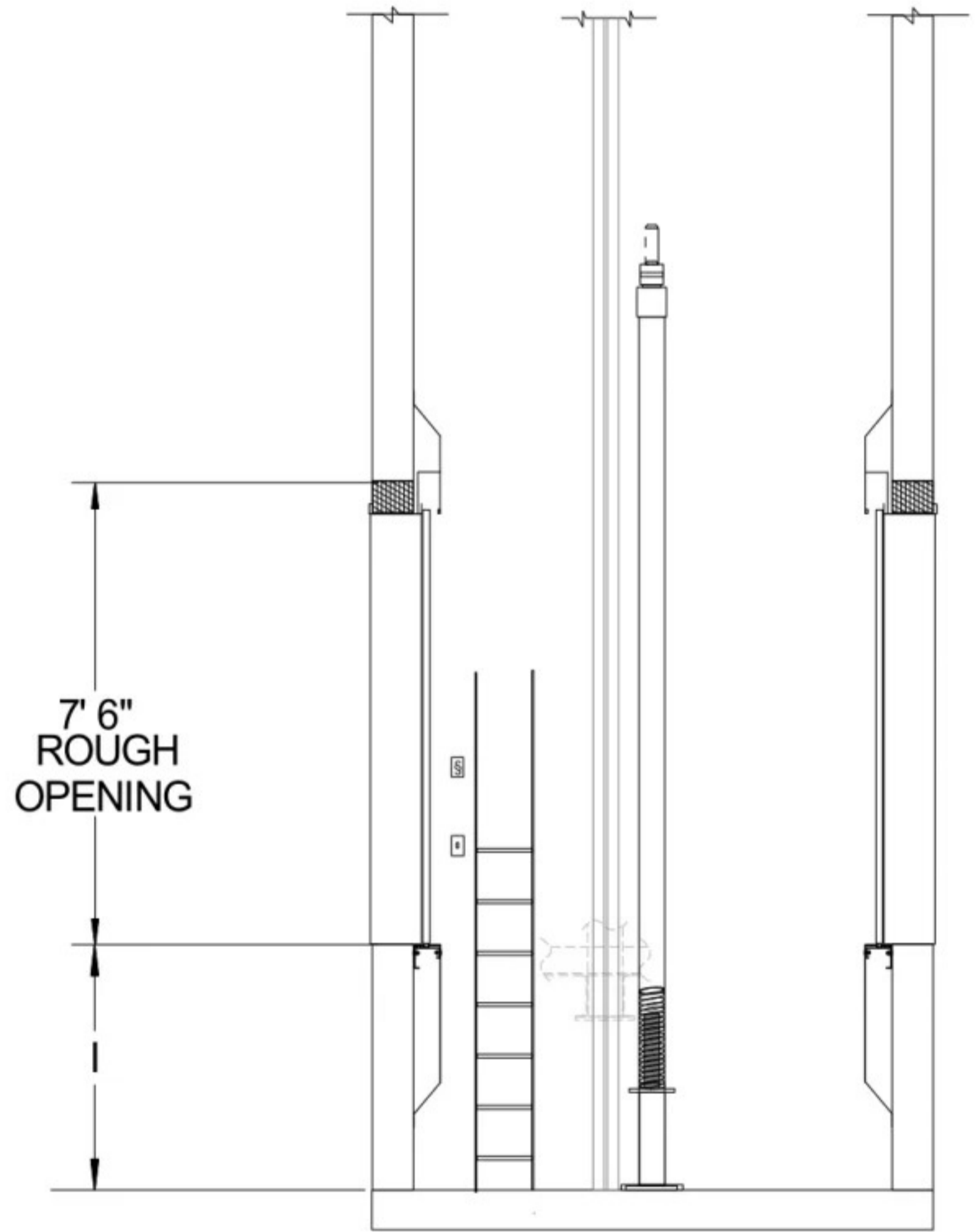
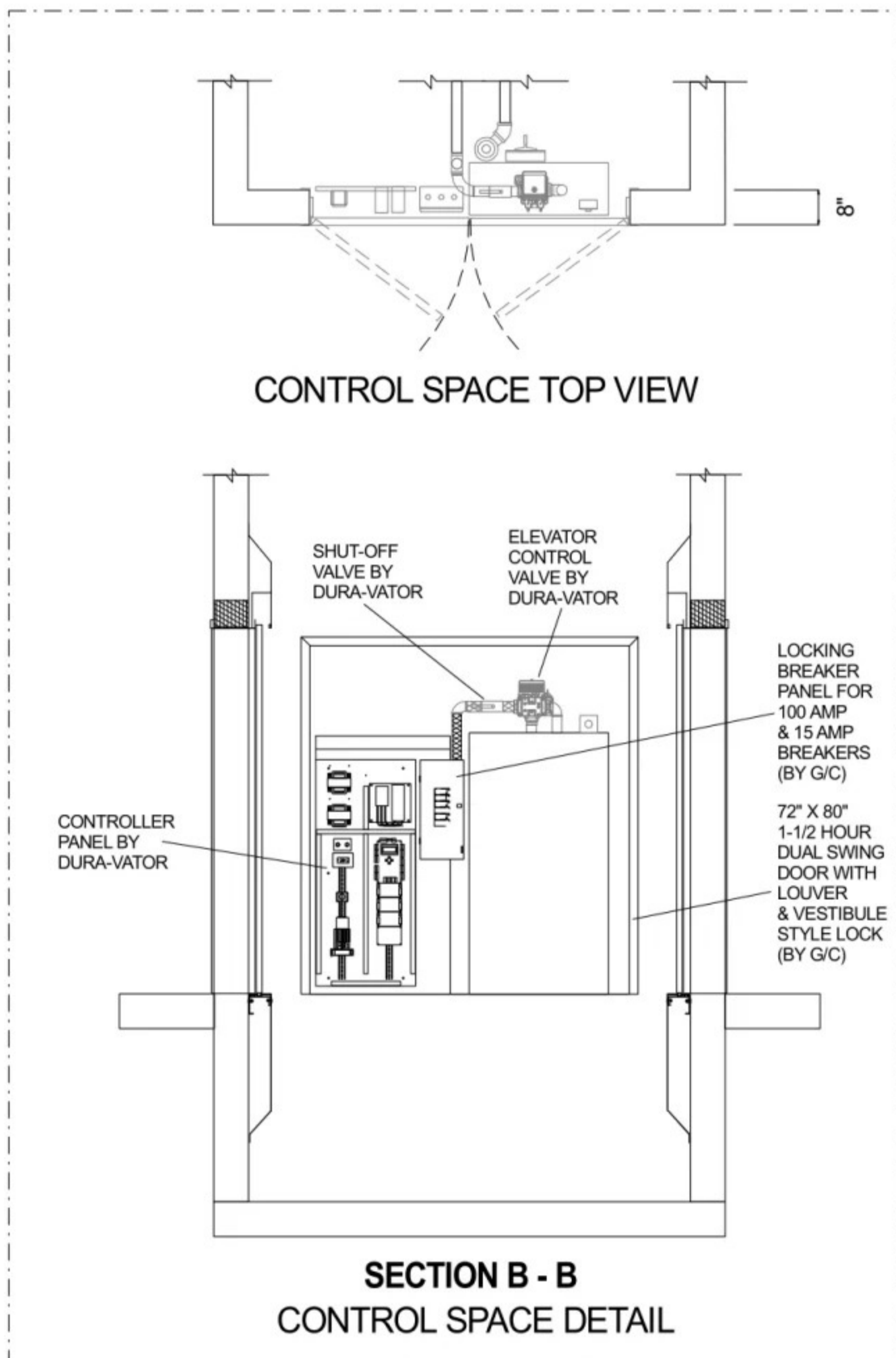
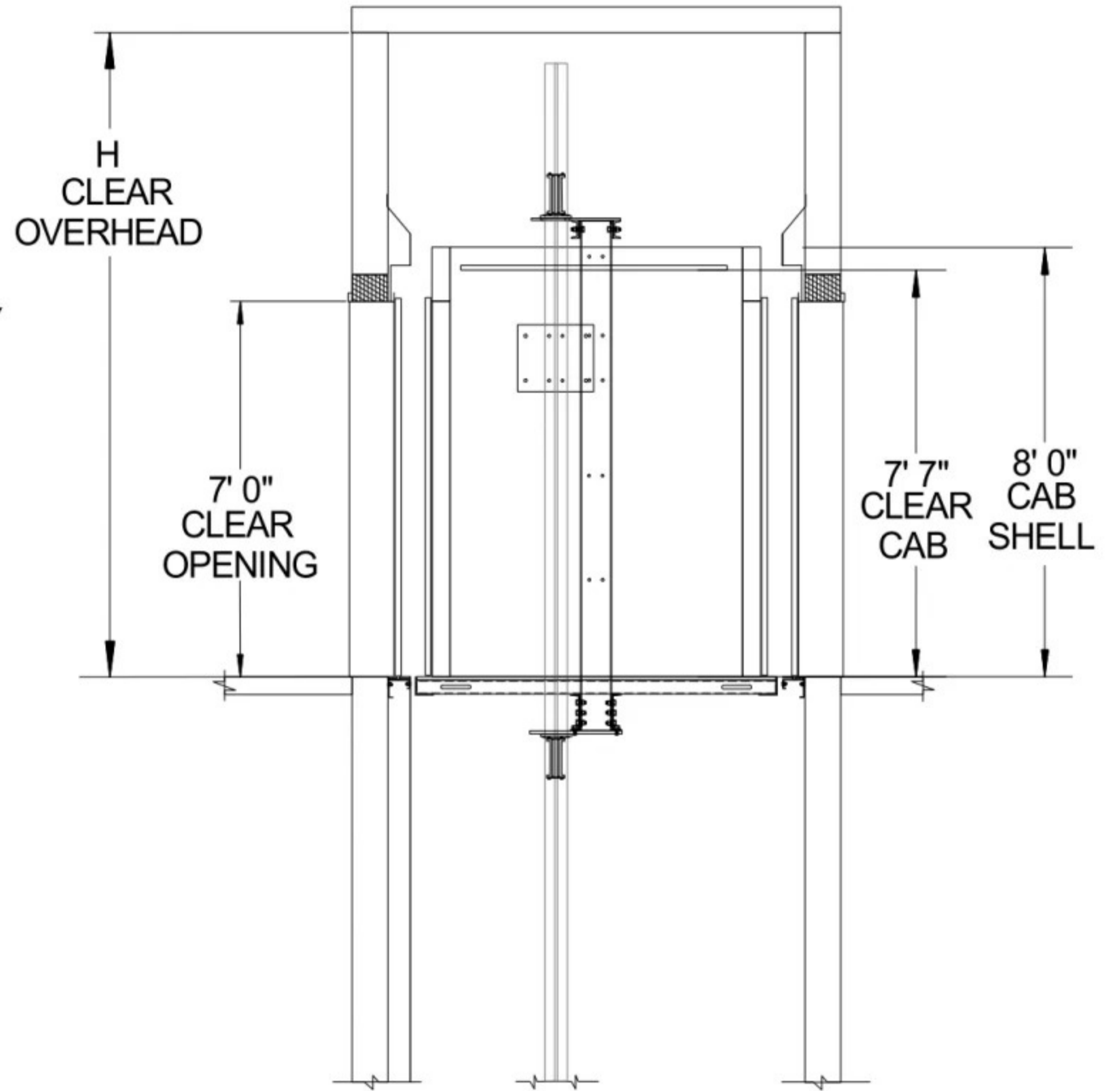


# HYDRAULIC MRL FRONT & REAR

## DURA•VATOR



PLAN VIEW



SECTION A - A

	A	B	C	D	E	F	G	H	I
	Platform Width	Platform Depth	Entrance Width	Hoistway Width	Hoistway Depth	Cab Width	Cab Depth	Clear Over - Head ***	
Capacity									Pit Depth
2,100	6'-0"	5'-9"	3'-0"	7'-10"	6'-9 1/2"	5'-9"	4'-5"	12'-0"	4'-0"
2,500	6'-10"	5'-9"	3'-6"	8'-8"	6'-9 1/2"	6'-7"	4'-5"	12'-0"	4'-0"
3,000	6'-10"	6'-5"	3'-6"	8'-8"	7'-1 1/2"	6'-7"	5'-1"	12'-0"	4'-0"
3,500	6'-10"	6'-9"	3'-6"	8'-8"	7'-9 1/2"	6'-7"	5'-5"	12'-0"	4'-0"

\*\*\* Add 1'-0" For 9'-0" Cab & 2'-0" For 10'-0" Cab