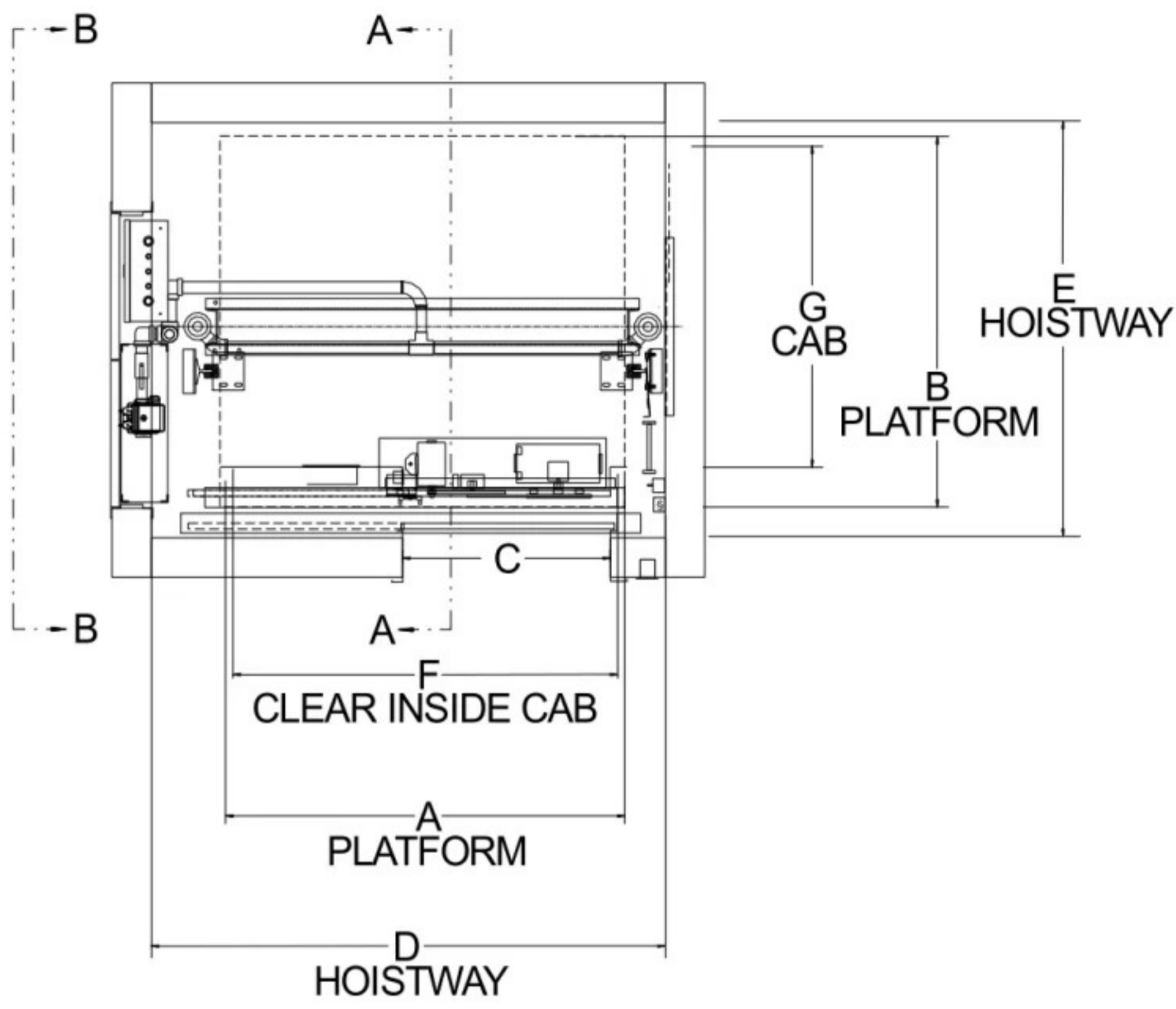
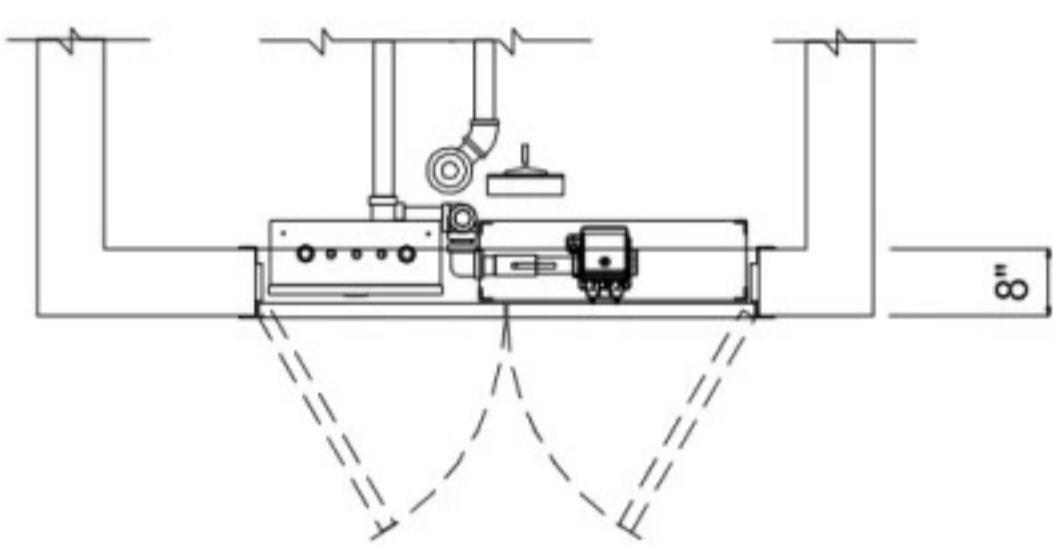
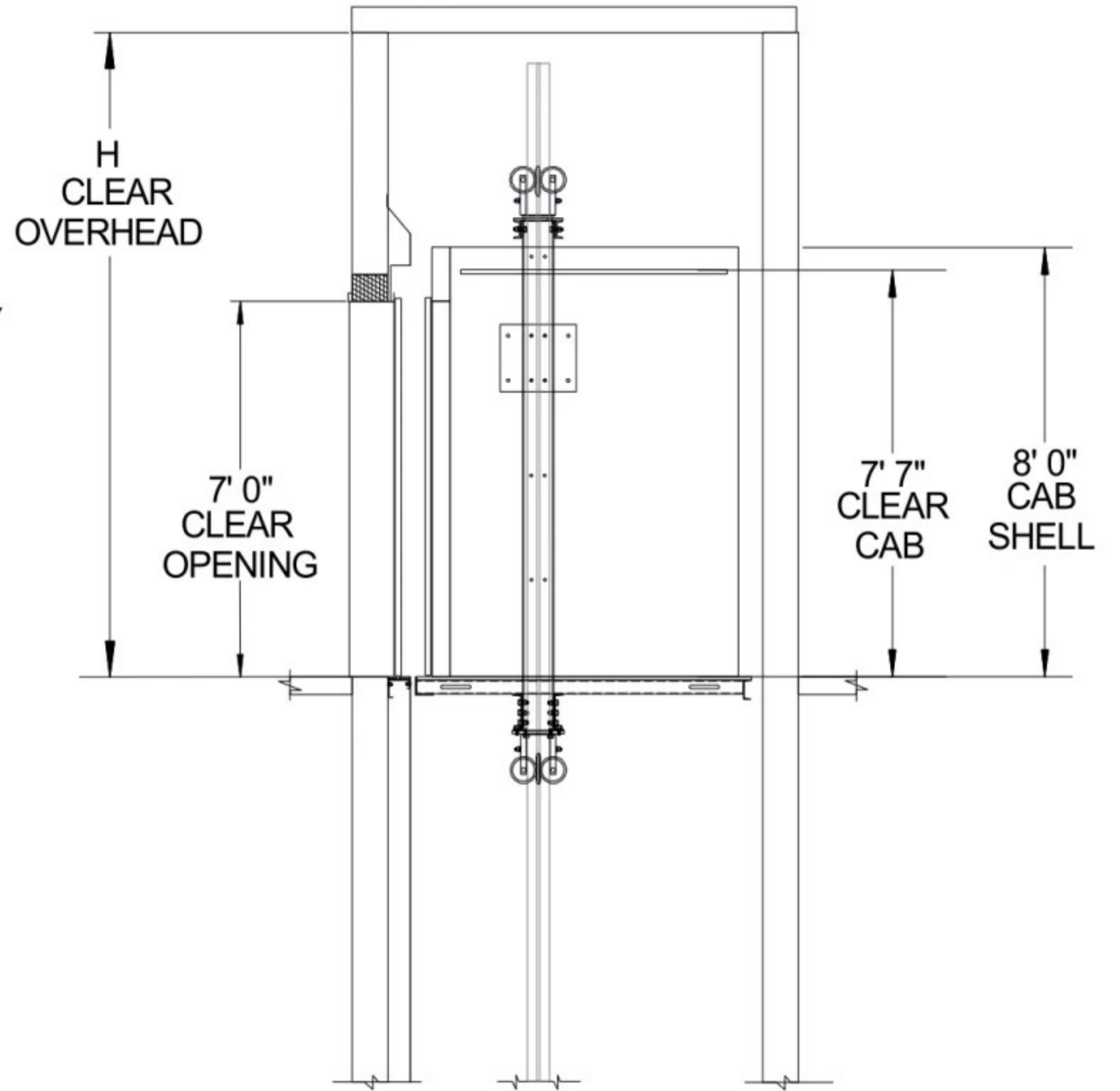


HYDRAULIC MRL IN-LINE

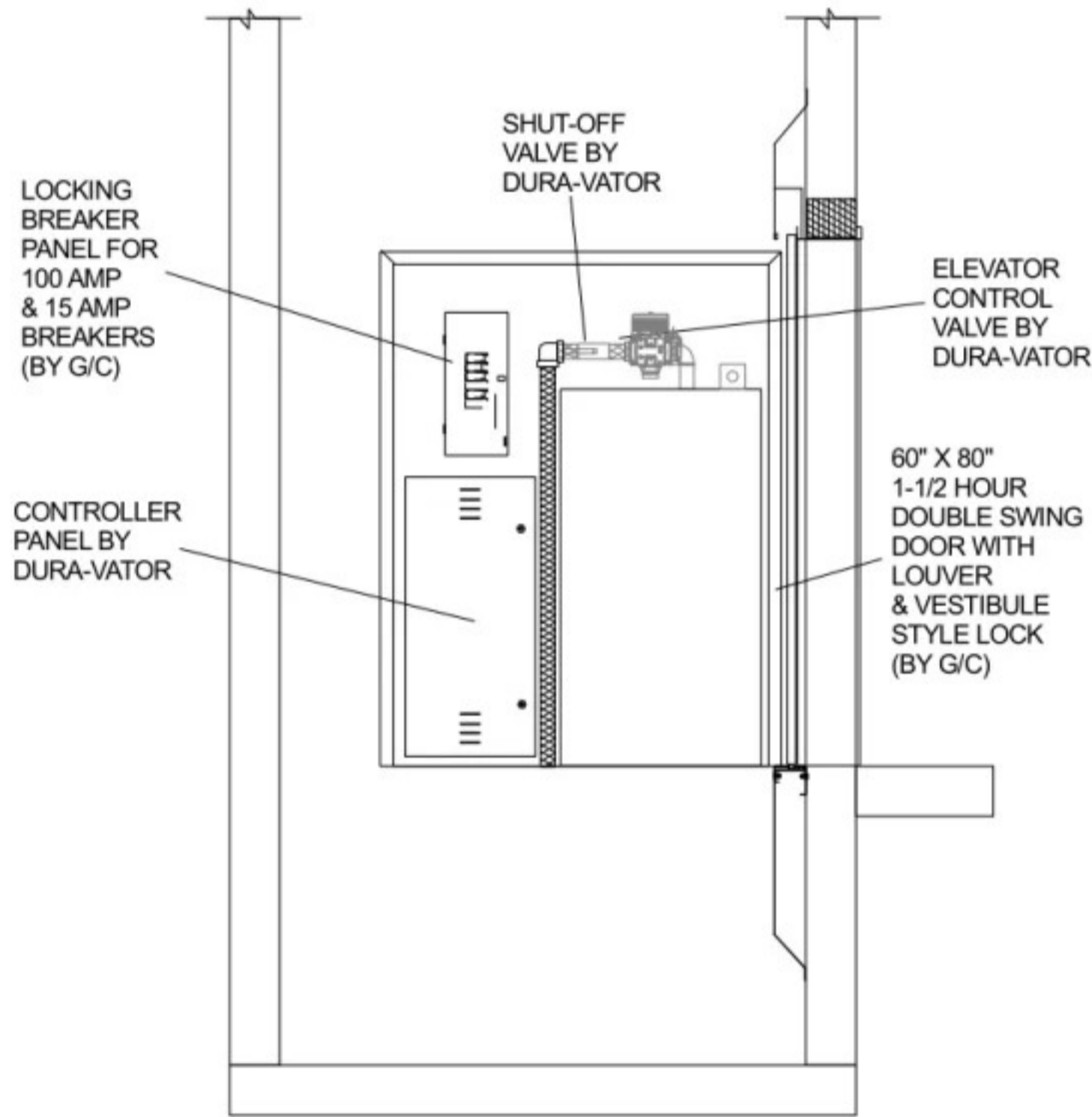
DURA•VATOR



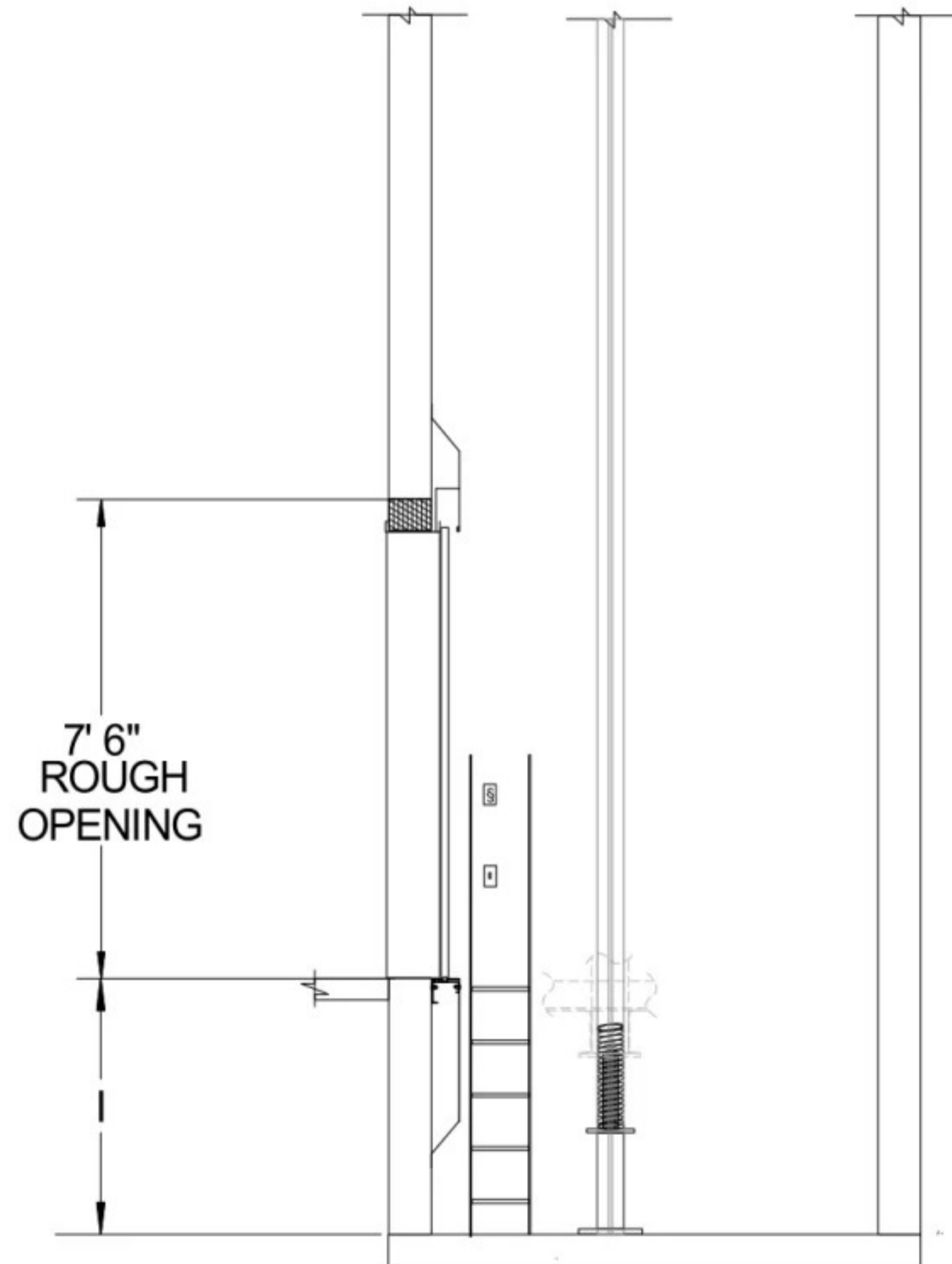
PLAN VIEW



CONTROL SPACE TOP VIEW



SECTION B - B
CONTROL SPACE DETAIL



SECTION A - A



	A	B	C	D	E	F	G	H	I
	Platform Width	Platform Depth	Entrance Width	Hoistway Width	Hoistway Depth	Cab Width	Cab Depth	Clear Over - Head ***	
Capacity									Pit Depth
2,100	6'-0"	5'-3"	3'-0"	7'-10"	5'-10"	5'-8"	4'-5"	12'-0"	4'-0"
2,500	6'-10"	5'-3"	3'-6"	8'-8"	5'-10"	6'-7"	4'-5"	12'-0"	4'-0"
3,000	6'-10"	5'-11"	3'-6"	8'-8"	7'-0"	6'-7"	5'-1"	12'-0"	4'-0"
3,500	6'-10"	6'-3"	3'-6"	8'-8"	7'-0"	6'-7"	5'-5"	12'-0"	4'-0"

*** Add 1'-0" For 9'-0" Cab & 2'-0" For 10'-0" Cab